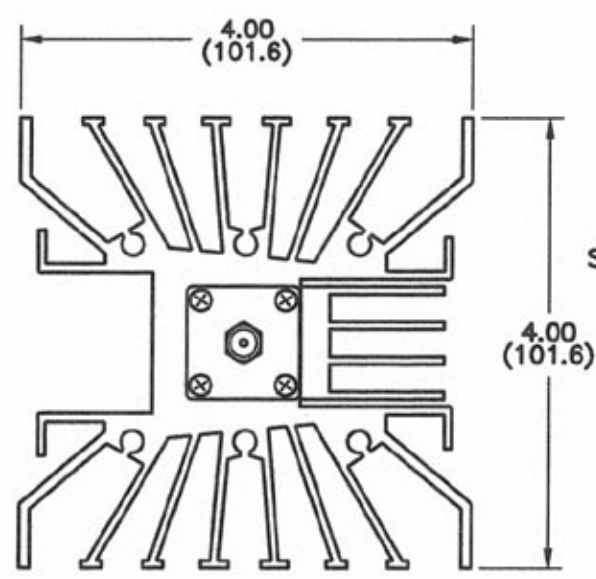
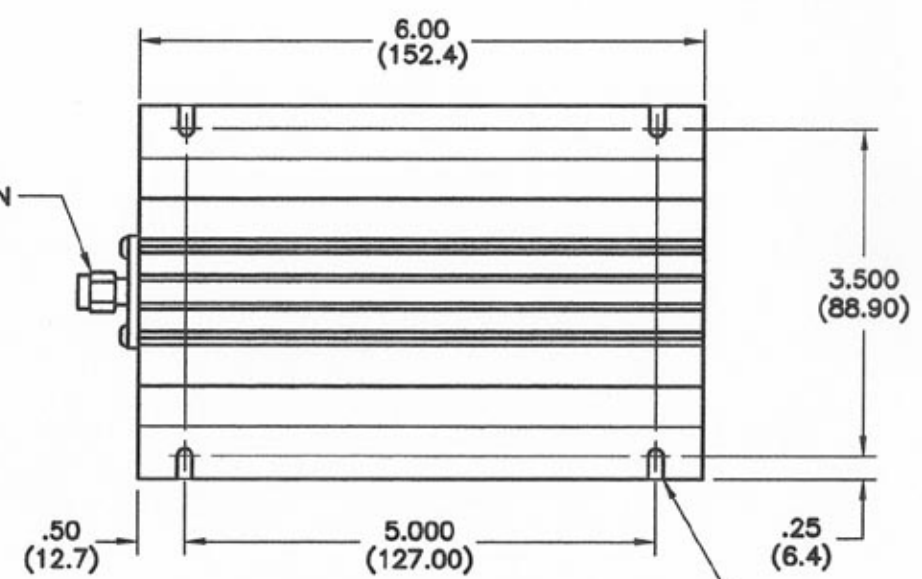


REVISIONS					
REV	ZONE	DESCRIPTION	DATE	BY	ECO



SMA MALE SHOWN




.156(3.96) WIDE SLOT, 4 PLACES
TOP AND BOTTOM OF UNIT

SPECIFICATIONS

- FREQUENCY RANGE - DC TO 3.0 GHz
- IMPEDANCE - 50 OHMS
- VSWR (1.0 GHz) - 1.15:1
- (2.4 GHz) - 1.20:1
- (3.0 GHz) - 1.25:1
- INPUT POWER (AVG.) - 100 WATTS
- (PEAK) - 2000 WATTS
- CONNECTOR TYPES - BNC, TNC, N, SMA, 7/16 DIN PLUG OR JACK
- SMA PLUG SHOWN

DIMENSIONS: INCHES (MILLIMETERS)

TOLERANCES		THE INFORMATION CONTAINED IN THIS DOCUMENT IS THE PROPERTY OF MICROWAVE DEVICES, INC. AND IS PROPRIETARY. IT IS NOT TO BE COPIED OR USED FOR ANY PURPOSE OTHER THAN AS INSTRUCTED, IN WRITING, BY MICROWAVE DEVICES, INC.	 <small>RF and Microwave Components</small>
DEC.XX ± .05	FRNC ±		
.XXX ± .010	ANG ±		
MATERIAL			
FINISH		SIGNATURES	DATE
		DR G.V.Cothren	3-19-07
CHK			
APPD			
APPD			

OUTLINE, MODEL 6100, SMA COAXIAL TERMINATION

CAGE	SIZE	DRAWING NO.
60674	B	900068-3
DRAWING SCALE		SHEET 1 OF 1
1:1		

CONTACT: MICROWAVE DEVICES - 1150 N. GRAHAM RD. FRANKLIN, IN 46131 (317) 736-8833

DIMENSIONS ARE IN INCHES UNLESS OTHERWISE SPECIFIED.